

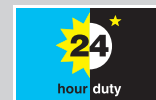
Qdos 60 Manual pump with ReNu pumphead

qdos60
Peristaltic Metering

Watson-Marlow Pumps

FEATURES AND BENEFITS

- Flow rates 0.1-1000 ml/min at 7bar (100psi) RMS pressure
- ReNu pumphead provides accurate, linear and repeatable low pulse flow under varying process conditions
- Process uptime is maximised with no gas-locking, no valve blocking and rapid no-tools pumphead replacement
- Flow control 10000:1 with $\pm 1\%$ accuracy
- Contained pumphead with integral leak detection
- Intuitive HMI with 3.5" (89mm) color TFT display
- High suction lift ensures self priming and metering of viscous fluids



Watson-Marlow...Innovation in Full Flow

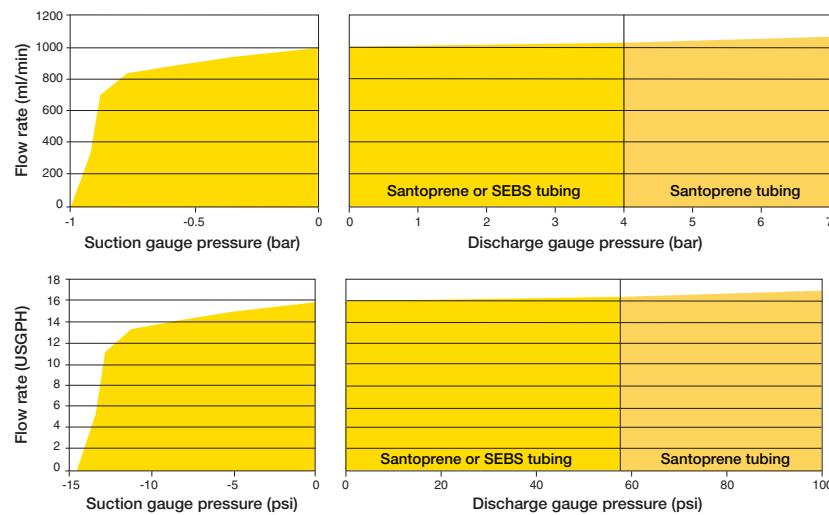
PERFORMANCE

Qdos 60 pump typical flow rates

| | Speed (rpm) | Flow (ml/min)* |
|------------------|-------------|----------------|
| ReNu 60 Pumphead | 0.025-125 | 0.1-1000 |
| | Speed (rpm) | Flow (USGPH)* |
| ReNu 60 Pumphead | 0.016-125 | 0.001-15.85 |

*accuracy $\pm 1\%$, repeatability $\pm 0.5\%$

Flow rate with discharge pressure for ReNu 60 pumpheads



The graphs show the flow performance for pumpheads with Santoprene tubing. Pumpheads with SEBS tubing will have slightly higher flow performance.

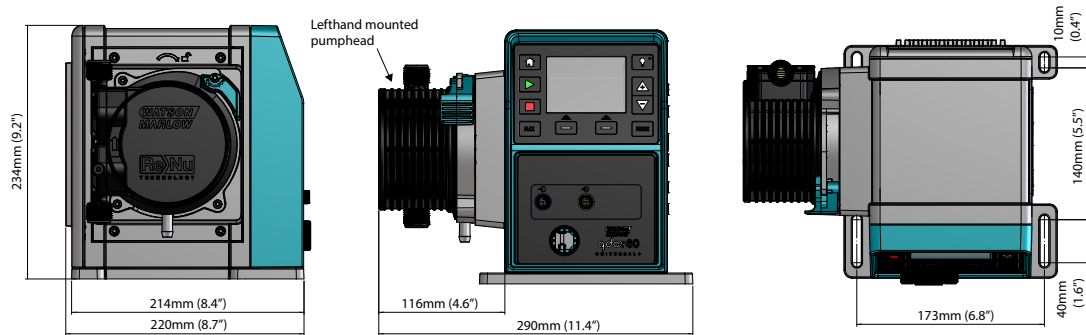
TECHNICAL DATA

| Functionality | Qdos 60 Manual |
|-------------------------------------------|----------------|
| Operational modes | |
| Manual | • |
| Fluid recovery | • |
| Fault reporting | • |
| Leak detection | • |
| Manual control | |
| 0.1 to 1000 ml/min (10000:1) | • |
| Numerical flow display | • |
| Numerical speed display | • |
| Numerical percentage of max speed display | • |
| Fluid level monitor | • |

TECHNICAL DATA

| Functionality | Qdos 60 Manual |
|----------------------------|----------------|
| Max (prime) | • |
| Auto restart | • |
| Fluid recovery | • |
| Security | |
| Keypad lock | • |
| PIN lock to protect set up | • |

DIMENSIONS



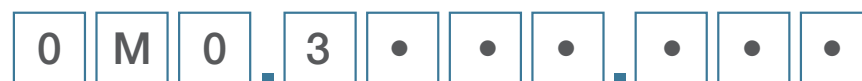
TECHNICAL SPECIFICATION

| | Qdos 60 Universal and Universal+ |
|----------------|---------------------------------------------------|
| Ingress rating | IP66 |
| Enclosure | Watertight / dustproof |
| Humidity | Non-condensing 5% to 95% |
| Temperature | 5C to 45C (41F to 113F) |
| Pump weight | Drive: 4.6kg (10lb 2oz) Pumphead: 1.1kg (2lb 7oz) |
| Control ratio | 10000:1 with $\pm 1\%$ accuracy |
| Noise | < 70dB(A) at 1m |
| Standard | CE, NSF 61, cETLus |
| Power supply | Switch mode power supply ~100-240V 50-60Hz 190VA |

| Component | Material |
|--------------------------|-------------------------------------------------------------|
| Keypad | Polyester |
| Drive casework | 20% Glass filled PPE/ PS |
| Drive shaft | Stainless steel 440C |
| Pumphead enclosure | 30% Glass filled PPE/PS |
| Rotor | Glass filled nylon |
| Rotor bearings | Steel |
| Tube† | Santoprene (max 7 bar, 100 psi) SEBS (max 4 bar, 60 psi) |
| Pumphead hydraulic ports | Polypropylene (Santoprene) PVDF (SEBS) |
| Hydraulic connectors | Polypropylene |
| Lubricant | PFPE based |

*The ReNu Pumphead contains lubricant. It is the user's responsibility to comply with local health and safety regulations, including ensuring chemical compatibility between the lubricant and the duty fluid before use. For guidance refer to www.wmftg.com/chemical

ORDER INFORMATION



Tube material†

2: Santoprene (max 7 bar, 100 psi)
8: SEBS (max 4 bar, 60 psi)

Model

1: Remote
3: Manual
4: Universal
5: Universal+
7: PROFIBUS

Digital I/O type

Manual, Remote and PROFIBUS models

L: Standard pump variant

Universal and Universal+ models

L: Open collector outputs, 5 - 24V DC inputs
H: Volt free 110V AC relay contacts, 110V AC inputs
(only available with US mains leads)
R: Volt free 24V DC relay contacts, 5 - 24V DC inputs

Pumphead orientation*

L = Left
R = Right

Plug options

A: US
E: European
U: UK
K: Australia
R: Argentina
C: Swiss

Pumphead Lubricant

G: General purpose, PFPE lubricant

† For guidance on chemical compatibility see www.qdospumps.com

* The pumphead side location is required when ordering. The left/right perspective assumes the user is looking at the front of the pump. The pump in the dimensions diagram is considered a pumphead located to the left.

Pumphead product codes

| Description | Partcode |
|---------------------------------------------------|--------------|
| ReNu 60 pumphead Santoprene / PFPE 7 bar (100psi) | 0M3.3200.PFP |
| ReNu 60 pumphead SEBS / PFPE 4 bar (60psi) | 0M3.3800.PFP |

All flow rates shown were obtained pumping water at 20C (68F) with zero suction and delivery heads.
Disclaimer: The information contained in this document is believed to be correct but Watson-Marlow Limited accepts no liability for any errors it contains and reserves the right to alter specifications without notice. It is the users responsibility to ensure product suitability for use within their application. Watson-Marlow, Qdos, ReNu, LoadSure, Bioprene, Pumpsil and Marprene are trademarks of Watson-Marlow Limited. STA-PURE PFL® and STA-PURE PCS® are registered trademarks of W.L. Gore & Associates Inc. Please state the product code when ordering pumps and tubing.

**WATSON
MARLOW
Pumps**

wmftg.co.uk
info@wmftg.co.uk
+44 (0) 1326 370370