

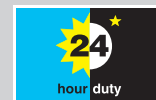
# Qdos 60 Remote pump with ReNu pumphead

**qdos60**  
Peristaltic Metering

Watson-Marlow Pumps

## FEATURES AND BENEFITS

- Flow rates 0.6-1000 ml/min at 7bar (100psi) RMS pressure
- ReNu pumphead provides accurate, linear and repeatable low pulse flow under varying process conditions
- Process uptime is maximised with no gas-locking, no valve blocking and rapid no-tools pumphead replacement
- Flow control 1600:1 with  $\pm 1\%$  accuracy
- Contained pumphead with integral leak detection
- Analog 4-20mA input and output
- High suction lift ensures self priming and metering of viscous fluids



*Watson-Marlow...Innovation in Full Flow*

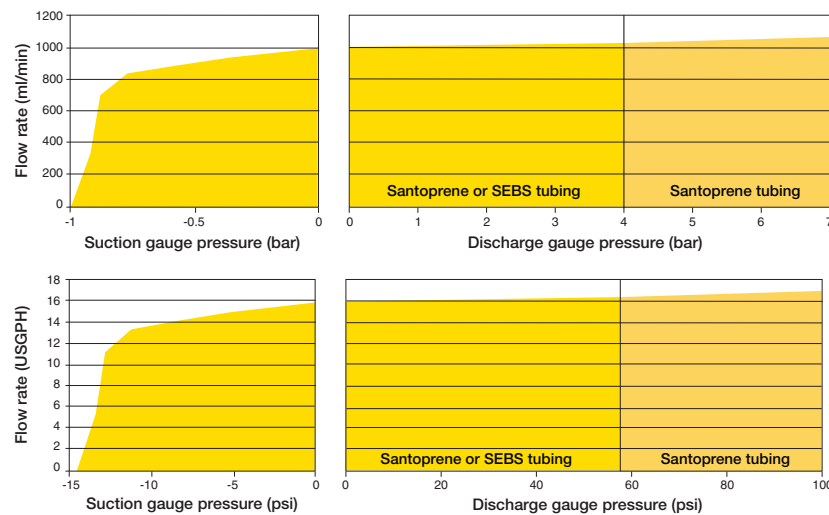
## PERFORMANCE

### Qdos 60 pump typical flow rates

	Speed (rpm)	Flow (ml/min)*
ReNu 60 Pumphead	0.078-125	0.3-1000
	Speed (rpm)	Flow (USGPH)*
ReNu 60 Pumphead	0.078-125	0.005-15.85

\*accuracy  $\pm 1\%$ , repeatability  $\pm 0.5\%$

### Flow rate with discharge pressure for ReNu 60 pumpheads



The graphs show the flow performance for pumpheads with Santoprene tubing. Pumpheads with SEBS tubing will have slightly higher flow performance.

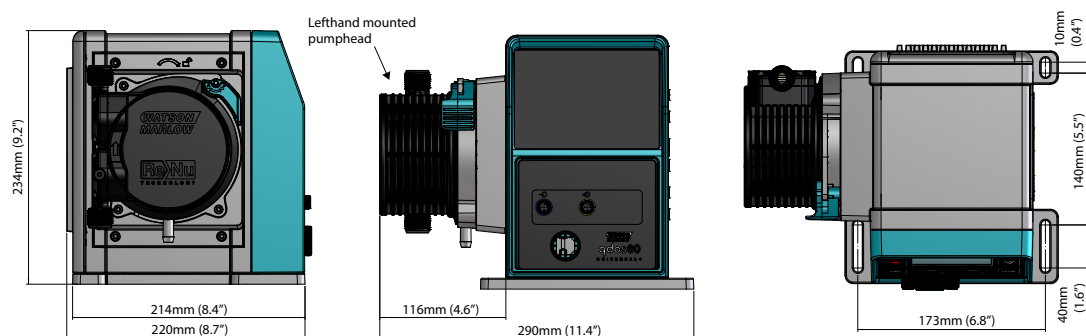
## TECHNICAL DATA

Functionality	Qdos 60 Remote
<b>Operational modes</b>	
4-20mA	•
Fluid recovery	•
Fault reporting	•
Leak detection	•
<b>Remote control</b>	
Flow rate range 0.6 to 1000 ml/min (1600:1)	•
4-20mA input	•
4-20mA output	•
Run stop input	•

## TECHNICAL DATA

Functionality	Qdos 60 Remote
Run status output	•
Alarm output	•
Remote fluid recovery	•
LED Pump status icons	
Pump status icons	•
4-20mA status icon	•
Fault icons	•

## DIMENSIONS



## TECHNICAL SPECIFICATION

	Qdos 60 Universal and Universal+
Ingress rating	IP66
Enclosure	Watertight / dustproof
Humidity	Non-condensing 5% to 95%
Temperature	5C to 45C (41F to 113F)
Pump weight	Drive: 4.6kg (10lb 2oz) Pumphead: 1.1kg (2lb 7oz)
Control ratio	10000:1 with $\pm 1\%$ accuracy
Noise	< 70dB(A) at 1m
Standard	CE, NSF 61, cETLus
Power supply	Switch mode power supply ~100-240V 50-60Hz 190VA

## MATERIALS OF CONSTRUCTION

Component	Material
Keypad	Polyester
Drive casework	20% Glass filled PPE/ PS
Drive shaft	Stainless steel 440C
Pumphead enclosure	30% Glass filled PPE/PS
Rotor	Glass filled nylon
Rotor bearings	Steel
Tube†	Santoprene (max 7 bar, 100 psi) SEBS (max 4 bar, 60 psi)
Pumphead hydraulic ports	Polypropylene (Santoprene) PVDF (SEBS)
Hydraulic connectors	Polypropylene
Lubricant	PFPE based

\*The ReNu Pumphead contains lubricant. It is the user's responsibility to comply with local health and safety regulations, including ensuring chemical compatibility between the lubricant and the duty fluid before use. For guidance refer to [www.wmftg.com/chemical](http://www.wmftg.com/chemical)

## ORDER INFORMATION

0 M 0 3 • • • • • • •

† For guidance on chemical compatibility see [www.qdospumps.com](http://www.qdospumps.com)

<b>Tube material†</b> 2: Santoprene (max 7 bar, 100 psi) 8: SEBS (max 4 bar, 60 psi)	<b>Model</b> 1: Remote 3: Manual 4: Universal 5: Universal+ 7: PROFIBUS	<b>Plug options</b> A: US E: European U: UK K: Australia R: Argentina C: Swiss
<b>Digital I/O type</b> <b>Manual, Remote and PROFIBUS models</b> L: Standard pump variant <b>Universal and Universal+ models</b> L: Open collector outputs, 5 - 24V DC inputs H: Volt free 110V AC relay contacts, 110V AC inputs <i>(only available with US mains leads)</i> R: Volt free 24V DC relay contacts, 5 - 24V DC inputs	<b>Pumphead orientation*</b> L = Left R = Right	<b>Pumphead Lubricant</b> G: General purpose, PFPE lubricant

Pumphead product codes	
Description	Partcode
ReNu 60 pumphead Santoprene / PFPE 7 bar (100psi)	0M3.3200.PFP
ReNu 60 pumphead SEBS / PFPE 4 bar (60psi)	0M3.3800.PFP

\* The pumphead side location is required when ordering. The left/right perspective assumes the user is looking at the front of the pump. The pump in the dimensions diagram is considered a pumphead located to the left.

All flow rates shown were obtained pumping water at 20C (68F) with zero suction and delivery heads.  
 Disclaimer: The information contained in this document is believed to be correct but Watson-Marlow Limited accepts no liability for any errors it contains and reserves the right to alter specifications without notice. It is the users responsibility to ensure product suitability for use within their application. Watson-Marlow, Qdos, ReNu, LoadSure, Bioprene, Pumpsil and Marprene are trademarks of Watson-Marlow Limited. STA-PURE PFL® and STA-PURE PCS® are registered trademarks of W.L. Gore & Associates Inc. Please state the product code when ordering pumps and tubing.

**WATSON  
MARLOW  
Pumps**

wmftg.co.uk  
 info@wmftg.co.uk  
 +44 (0) 1326 370370